



PIR MOTION SENSOR

READ ALL OF THESE INSTALLATION INSTRUCTIONS BEFORE INSTALLING THE FIXTURE

WARNING:

These products may represent a possible shock or fire hazard if improperly installed or attached in any way. Products should be installed by a qualified electrician in accordance with these instructions, current local electrical code or the current National Electric Code (NEC).

Features

- 4 Modes

[AUTO]: At night, activate when detecting motion and off after a preselected delay time.

[D2D]: Switching to D2D mode with LUX switched to minimum, the light will turn on all the time at dusk with 20-90Lux and turns off at dawn with 800Lux.

[Manual Override Mode] :

Manual override mode only works at night because daylight returns the sensor to AUTO.

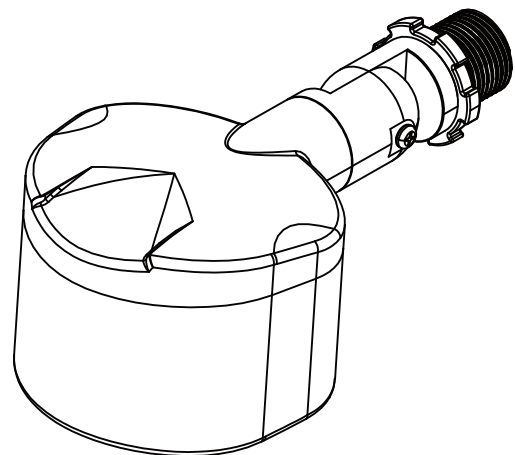
Turn wall switch OFF and ON within 2 seconds, devices will keep ON for 8 hours

(or until the Dusk-to-Dawn sensor detects light in the morning) and return to Auto Mode automatically.

Or turn the switch OFF and ON within 2 seconds again and will be back to Auto Mode.

Manual override mode works only with the TIMER switch between 1 Min to 10 Min.

[TEST MODE]: No matter day or night, it will turn on when motion is detected. Tests the sensor's functionality even during daylight hours.

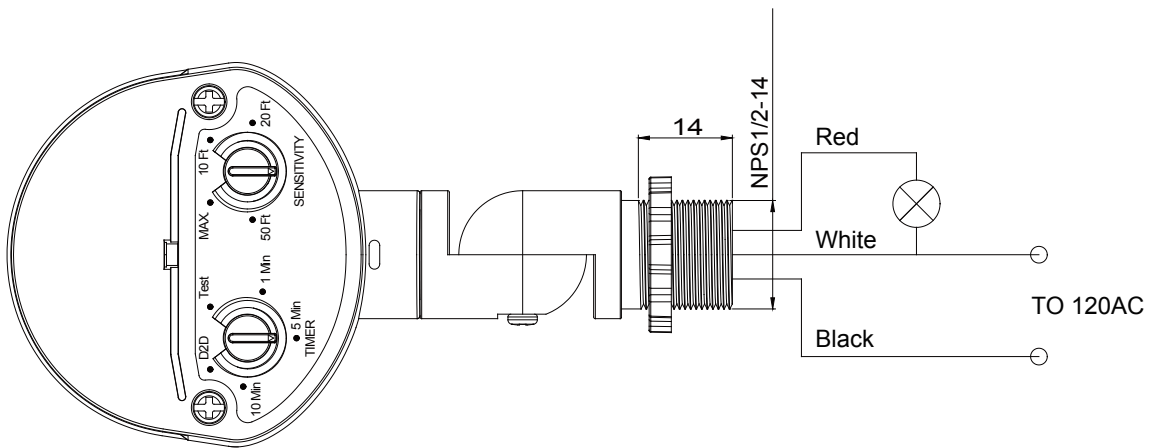


- Detection Range max 180°.
- Detection Distance: 5-60 ft. (adjustable)
- Time Setting: 10 sec. - 10min.
- Plastic Enclosure in PC 5VA, UV Rating.

Electrical Characteristics

Descriptions	Specifications
Input power	120 VAC±10%, 60Hz
Load Rating	Max. 500W Incandescent lamp Or Max 200W LED Driver/LED bulb
Operation LUX	OFF→ON 20-90LUX ON→OFF Max: 800LUX
Power Consumption	Max. 0.5 Watt when stand-by
Operation Temp	-30°C ~ 50°C

Wiring Diagram



Wires in 1007 18AWG 80°C 300V

WARNING: PROPOSITION 65

Handling the coated electrical wires and fixture of this product can expose you to chemicals including lead, which is known to the State of California to cause cancer and/or birth defects or other reproductive harm. For more information go to [www. P65Warnings.ca.gov](http://www.P65Warnings.ca.gov).